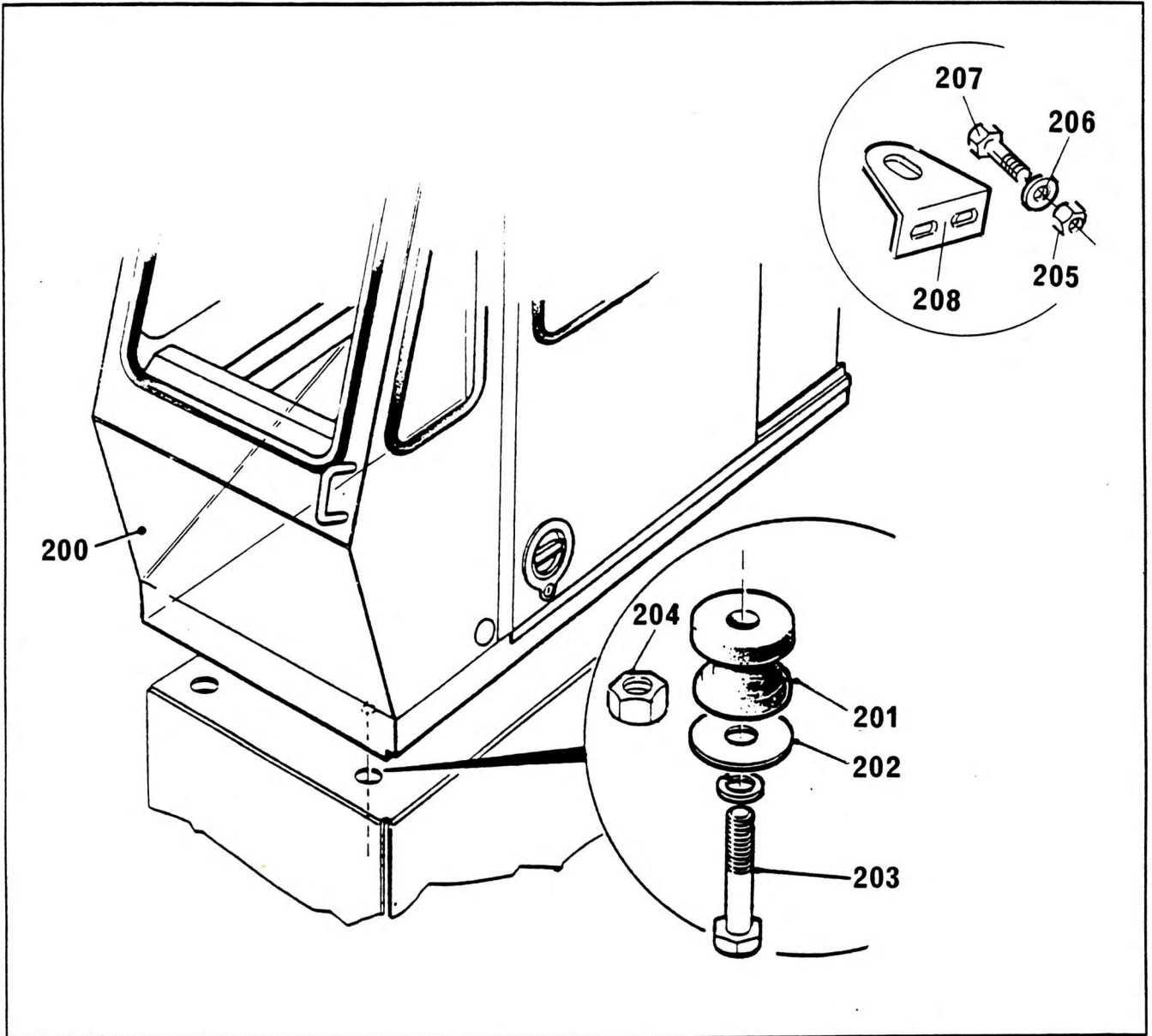


CAB INSTALL TURNTABLE



NO.	PART NO.	QTY.	DESCRIPTION	NO.	PART NO.	QTY.	DESCRIPTION
200+	6-245-990276	1	Cab Assembly				
201	7-638-000052	5	Shock Mount Cab				
202	6-949-990017	11	Flat Washer				
203	7093202	5	Bolt M16 x 75 Long				
204	7069503	5	Nut Nyloc M16				
205	7069301	2	Nut M10				
206	7066538	2	Washer M10				
207	7091007	2	Bolt M10 x 35 Long				
208	6-184-991794	1	Bracket Cab Mount Rear				

+ See further breakdown in this group